

涵道模型飞机LED双发尾焰灯安装说明

基本参数

工作电压：12.5V（最大电压24V）

光源数量：288颗

工作电流：2A（最大6A）

光源功率：0.4W

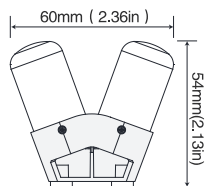
灯组重量：36g（不含转接环）

转接环：3~5g（ $\varnothing 29$ $\varnothing 30$ $\varnothing 32$ $\varnothing 36$ $\varnothing 36.6$ $\varnothing 39$ $\varnothing 40$ mm）

灯光颜色：暖黄

光通量：2880LM

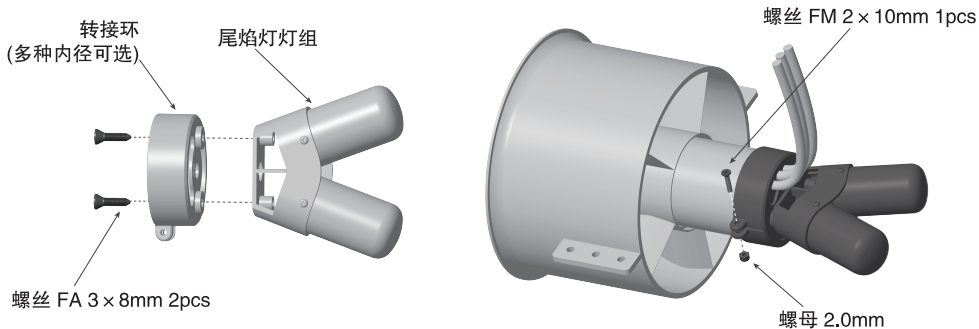
光源型号：3014



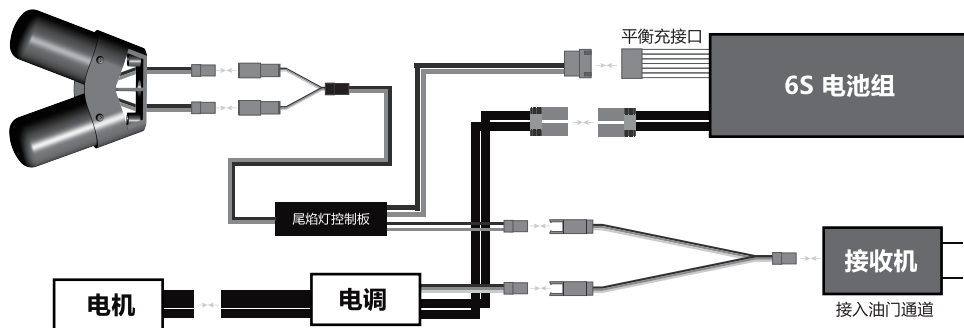
组装示意图

如下图所示：

1.选择合适的转接环，用螺丝把尾焰灯组安装在转接环上；2.用螺丝把组装好的尾焰灯组安装在动力组上。



线路连接



注意事项

1. 安装前，勿长时间点亮灯组，防止高温引起电路损坏。
2. 长时间点亮灯组后，请勿触摸，以防高温烫伤。
3. 安装过程中，不要损伤电源线，以防短路。
4. 固定好电源线，以防松脱后吸入涵道，造成事故。
5. 正确连接电池，以防短路起火。

FreeWing

Dongguan Freewing Electronic Technology Ltd.
Hongkong Freewing Model Intl Ltd.

+86 769 82 669 669

www.freewingmodel.com www.sz-freewing.com

freewing@sz-freewing.com

Installation instructions of Tail flame LED lights of model jets

Specifications

Voltage: 12.5V (Max 24V)

Current: 2A (Max 6A)

Weight of LED light set: 36g (No Adapter ring)

Adapter ring : 3~5g: ($\varnothing 29$ $\varnothing 30$ $\varnothing 32$ $\varnothing 36$ $\varnothing 36.6$ $\varnothing 39$ $\varnothing 40$ mm)

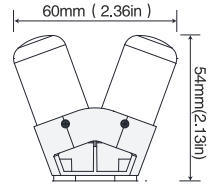
LED light color: Warm yellow

Luminous flux: 2880LM

Light source model: 3014

Number of light sources: 288pcs

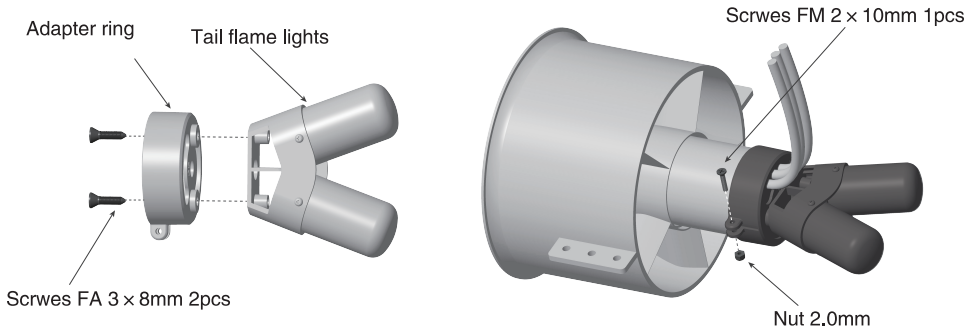
Light source power: 0.4W



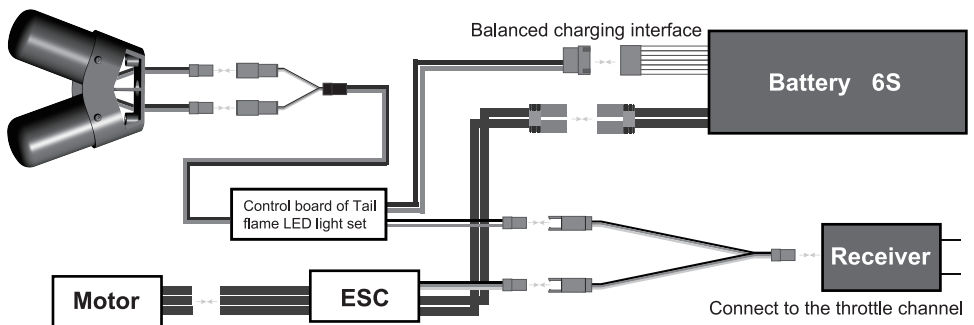
Installation diagram

As shown in the following photo:

1. Select a suitable adapter ring and install the tail LED lights on the adapter ring with screws;
2. Install the assembled LED lights set onto the motor with screws.



Cable connection



Balance Charging After Each Flight

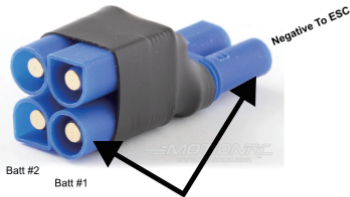
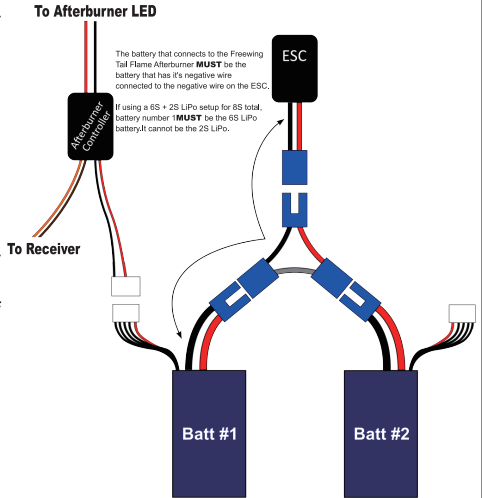
The Freewing Tail Flame Afterburner only uses 3 cells of the battery it is connected to. This means, at the end of each flight, a slight imbalance will occur with those 3 cells being slightly lower than the others when used in conjunction with 4S or greater LiPo batteries. Be sure to balance charge your batteries after each flight. If installing this system in an actively flown model, please be aware that the Tail Flame Afterburner will draw additional current when in use, slightly shortening your overall flight time. Be sure to adjust your flying time and timer accordingly.

8S Power Systems

To safely connect your Tail Flame Afterburner to your main flight batteries when using an 8S LiPo battery setup, please follow the instructions and images below.

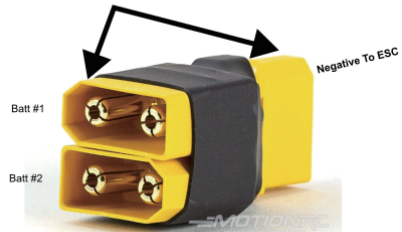
1. Power on your transmitter, and connect your series adapter to the ESC. Connect your batteries to the series adapter and check for proper control function of the model with the transmitter.

2. Note which battery has its ground (black) wire connected directly to the ESC's black wire and use the balance tab from this battery to connect to the Tail Flame Afterburner. Connecting the other battery's balance tab to the afterburner will cause the system to fail, and potentially cause a fire. If using a 6S and 2S battery in series for 8S, be sure to connect your 6S battery's negative (black) wire to the ESC's negative (black) wire.



On an EC5 to EC5 series adapter, look for the two round parts of the connector that are in-line. The battery that plugs its ground wire into this line is battery #1.

On an XT to XT series adapter, look for the two beveled sides of the connector that are in-line. The battery that plugs its ground wire into this line is battery #1.

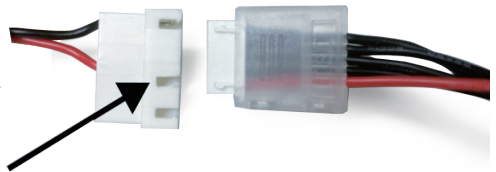


Please reference the image above for another style of series adapter, and how to note which battery to connect to the Tail Flame Afterburner. We recommend using a felt-tipped pen or paint marker to mark which side of the series adapter should be used.

Please note:

A single 8S LiPo battery cannot be used with the Freewing Tail Flame Afterburner

If using two 4S LiPos, you can cut a small notch in the connector of the Tail Flame Afterburner to allow the 4S balance tab to connect more easily..



Cautions

1. Before install, do not light up for a long time to prevent circuit damage caused by high temperature.
2. Do not touch the LED set after it has been lit for a long time to prevent scalding due to high temperature.
3. During installation, do not damage the power cord to prevent short circuit.
4. Fix the power cord to prevent accidents caused by suction into the culvert after loosening.
5. Connect the battery correctly to prevent short circuit and fire.

Freewing

Dongguan Freewing Electronic Technology Ltd.
Hongkong Freewing Model Intl Ltd.
+86 769 82 669 669
www.freewingmodel.com www.sz-freewing.com
freewing@sz-freewing.com